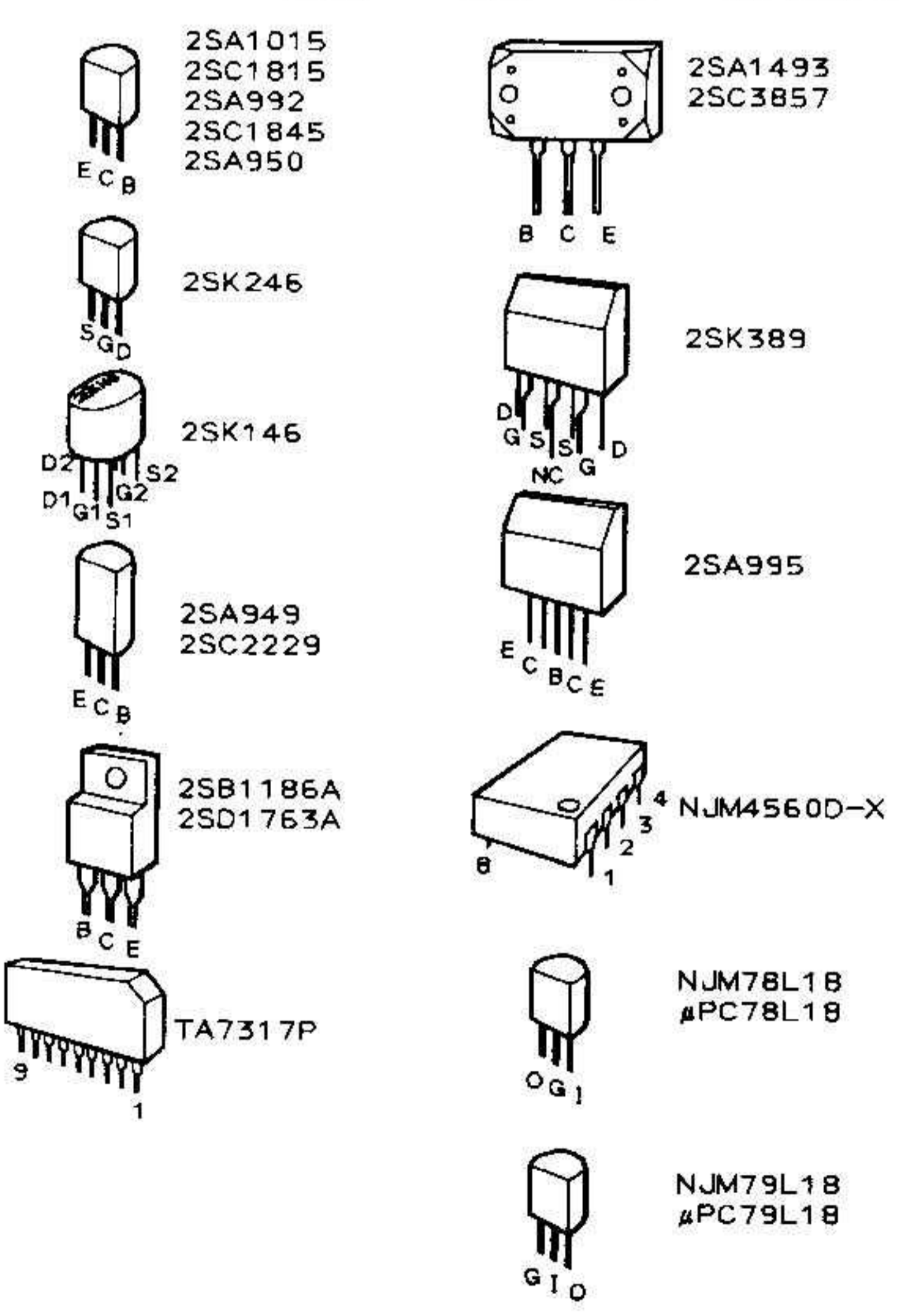
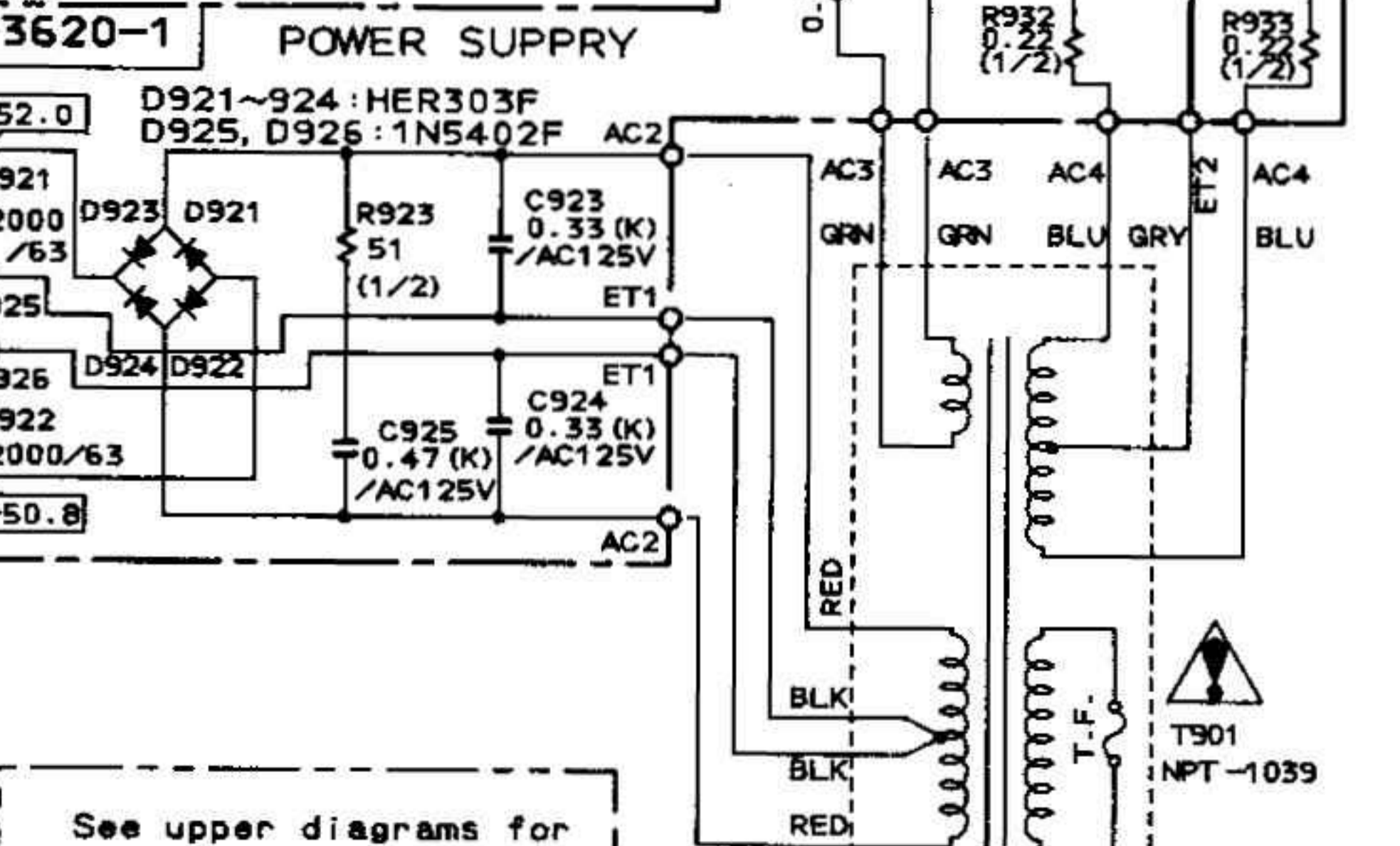
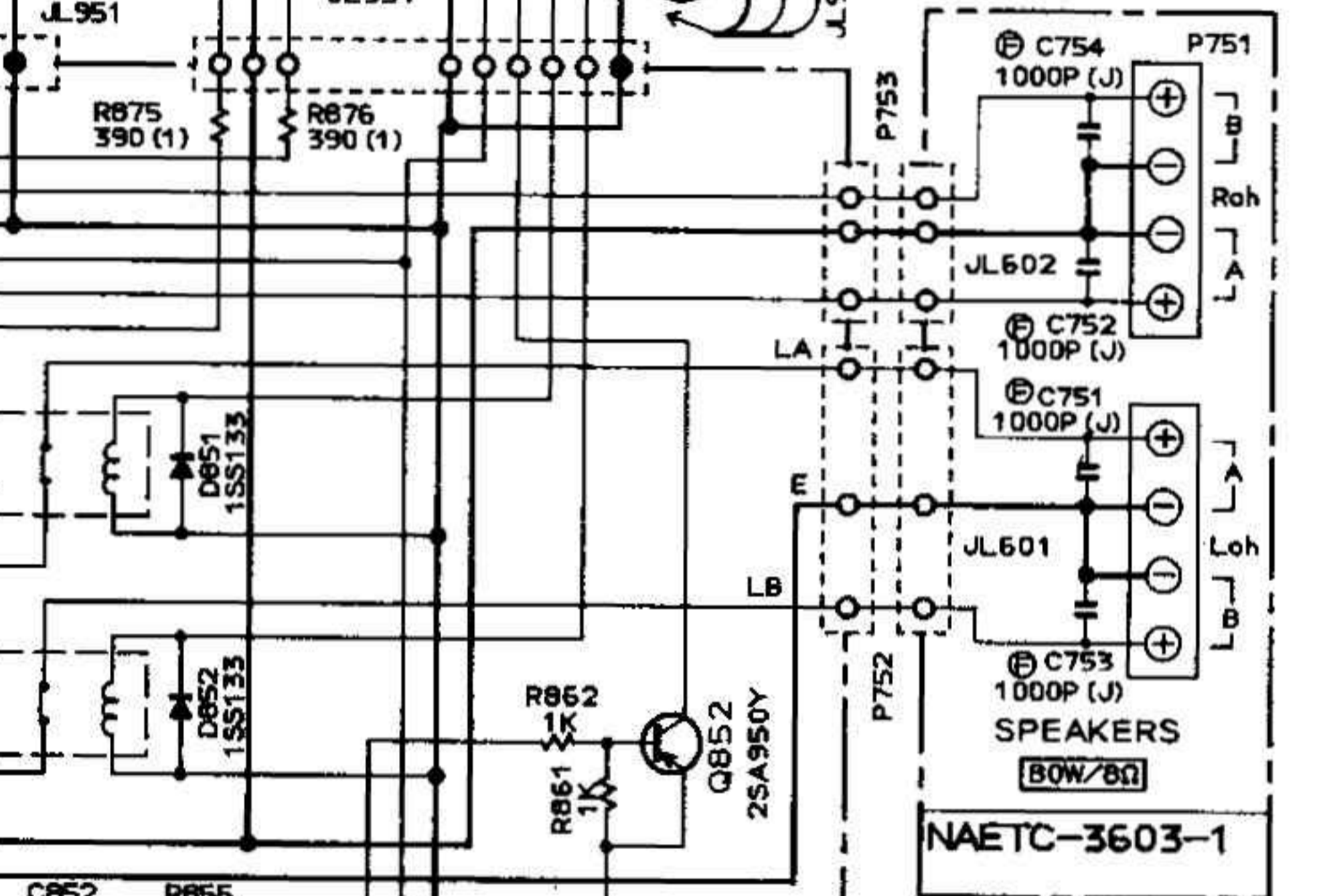
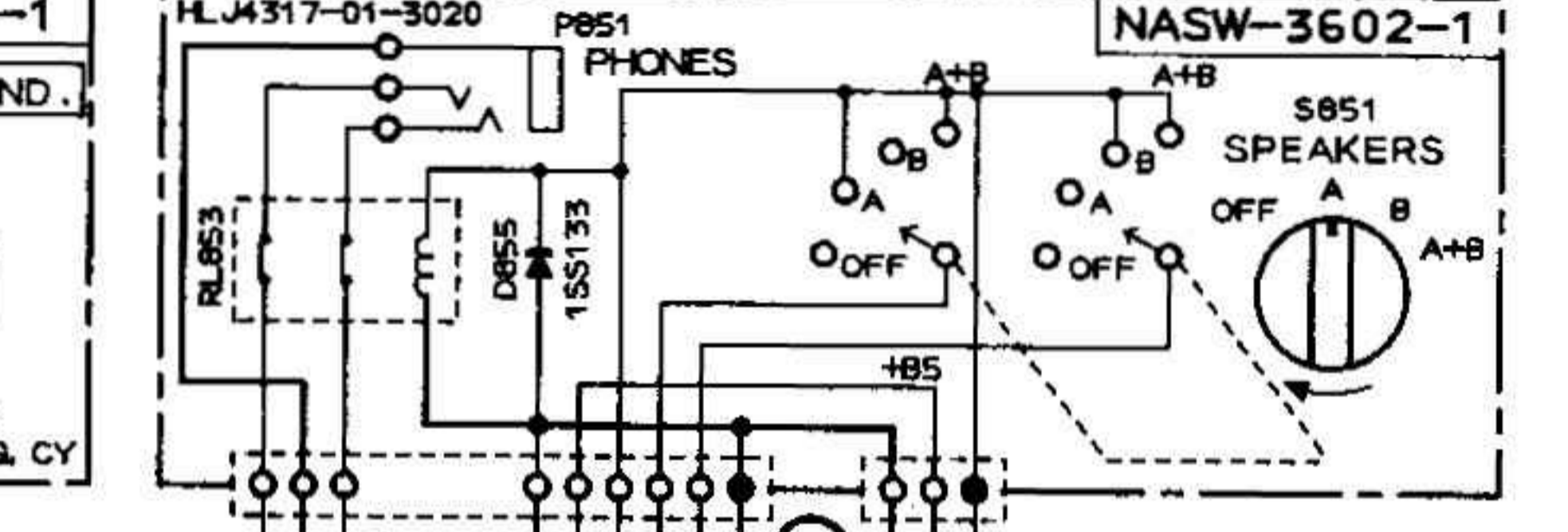
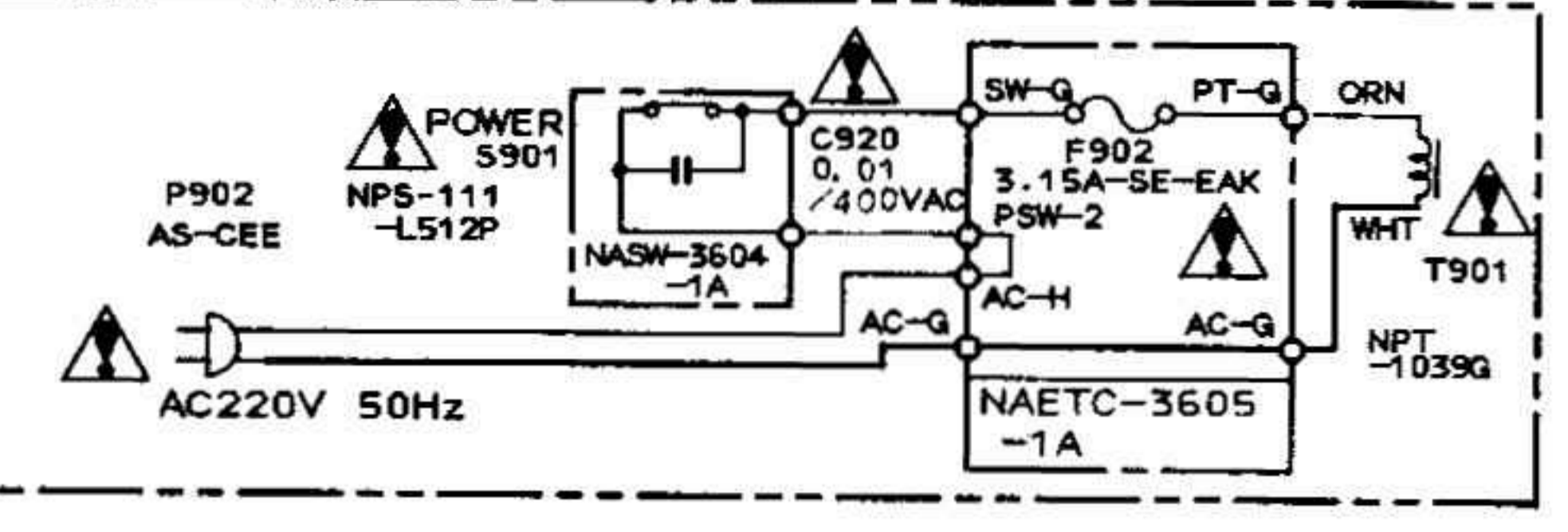


- NOTES**
- ALL RESISTORS ARE IN OHMS 1/4 WATTS UNLESS OTHERWISE NOTED.
  - ALL CAPACITORS ARE IN  $\mu\text{F}/50\text{V}$  UNLESS OTHERWISE NOTED.
  - ELECTROLYTIC CAPACITORS (E) ARE IN  $\mu\text{F}/\text{WV}$ .
  - ALL DIODES ARE 1S5133 UNLESS OTHERWISE NOTED.
  - ALL PNP TRANSISTORS ARE 2SA1015-GR OR 2SA733-P UNLESS OTHERWISE NOTED.
  - ALL NPN TRANSISTORS ARE 2SC1815-GR OR 2SC945A-P UNLESS OTHERWISE NOTED.
  - THE COMPONENTS IDENTIFIED BY MARK  $\Delta$  ARE CRITICAL FOR SAFETY. REPLACE ONLY WITH PART NUMBER SPECIFIED.
  - VOLTAGE MEASURED WITH V.T.V.M. IS DC VOLTAGE (NO INPUT SIGNAL).
  - THE COMPONENTS IDENTIFIED BY MARK  $\oplus$  ARE USED ONLY IN UGV TYPE.
  - CIRCUIT IS SUBJECT TO CHANGE FOR IMPROVEMENT.



C	D	G	J	K	M	Z
$\pm 0.25$	$\pm 0.5$	$\pm 2\%$	$\pm 5\%$	$\pm 10\%$	$\pm 20\%$	$+80\%$
$\mu\text{F}$	$\text{pF}$					$-20\%$



See upper diagrams for the primary connection.